

Specifications

Outdoor units R32

- Compressor with Digital Inverter Boost technology.
- Equipped with NASA communication protocol.
- Direct drive fan powered by a BLDC motor.
- Triple Protector Plus to protect compressor, fan and controller from power surges.



Outdoor Unit		AJ040TXJ2KG/EU	AJ050TXJ2KG/EU	AJ052TXJ3KG/EU	AJ068TXJ3KG/EU	
Maximum number of connectable indoor units						
		2	2	3	3	
Capacity						
Capacity	Cooling (Nominal)	kW	4.0	5.0	5.2	6.8
	Heating @ +7 °C	kW	4.2	5.6	6.3	8.0
	Heating @ -5 °C	kW	3.16	4.22	4.22	6.02
	Heating @ -10 °C	kW	2.70	3.60	3.60	5.14
	Heating @ -15 °C	kW	2.23	2.98	2.98	4.25
Performance						
Energy Efficiency Cooling	SEER ¹	W/W	8.54	8.54	8.51	7.75
	Power Consumption	kWh/a	164	205	206	293
	Pdesignc	kW	4.0	5.0	5.0	6.5
	EER	W/W	4.44	4.10	4.16	3.78
Energy Efficiency Heating	SCOP ¹	W/W	4.60	4.64	4.60	4.32
	Power Consumption	kWh/a	922	1,270	1,400	1,833
	Pdesignh (average)	kW	3.1	4.2	4.6	5.7
	COP ¹	W/W	4.64	4.38	4.77	4.42
Airflow Rate	m ³ /min	29.7	33.1	38.0	47.5	
Sound Power	dB(A)	60	61	61	64	
Sound Pressure	Cooling	dB(A)	45	46	46	48
	Heating	dB(A)	46	47	48	50
Fan	Type		Propeller Fan	Propeller Fan	Propeller Fan	Propeller Fan
	Discharge direction		Front (horizontal)	Front (horizontal)	Front (horizontal)	Front (horizontal)
	Power	W	40	40	125	125
	Number of Fans	-	1	1	1	1
Operating Temperature Range	Cooling	°C	-5.0~46.0	-5.0~46.0	-10.0~46.0	-10.0~46.0
	Heating	°C	-15~24	-15~24	-15~24	-15~24
Electrical Data						
Power Source	Φ, V, Hz	1Φ, 220~240 V, 50 Hz	1Φ, 220~240 V, 50 Hz	1Φ, 220~240 V, 50 Hz	1Φ, 220~240 V, 50 Hz	
Compressor Type		Twin BLDC Rotary	Twin BLDC Rotary	Twin BLDC Rotary	Twin BLDC Rotary	
Power Consumption	Cooling	kW	0.90	1.22	1.25	1.80
	Heating	kW	0.90	1.28	1.32	1.81
Operating Current	Cooling	A	4.1	5.6	5.5	8.1
	Heating	A	4.1	5.9	6.1	8.2
Dimensions						
Net Dimensions (W x H x D)	mm	790 x 548 x 285	790 x 548 x 285	880 x 638 x 310	880 x 798 x 310	
Net Weight	kg	32.0	33.0	44.5	57.5	
Refrigerant						
Refrigerant	Type	R32 (contains fluorinated greenhouse gases. GWP = 675)				
Refrigerant	Factory Charging	kg	0.98	1.18	1.55	2.00
	Chargeless Piping Length	m	30.0	30.0	30.0	30.0
	Charging Ton equivalent CO ₂	tCO ₂ e	0.66	0.80	1.05	1.35
	Additional Refrigerant Charging	g/m				10
Piping Connections	Liquid Pipe	ø, inch	1/4 x 2	1/4 x 2	1/4 x 3	1/4 x 3
	Gas Pipe	ø, inch	3/8 x 2	3/8 x 2	3/8 x 2 + 1/2	3/8 + 1/2 x 2
Piping Length	Total Piping Length	m	30	30	50	50
	Min/Max	m	3/20	3/20	3/25	3/25
Piping Height	Max Height (ID-ID)	m	7.5	7.5	7.5	7.5
	Max Height (OD-ID)	m	15	15	15	15

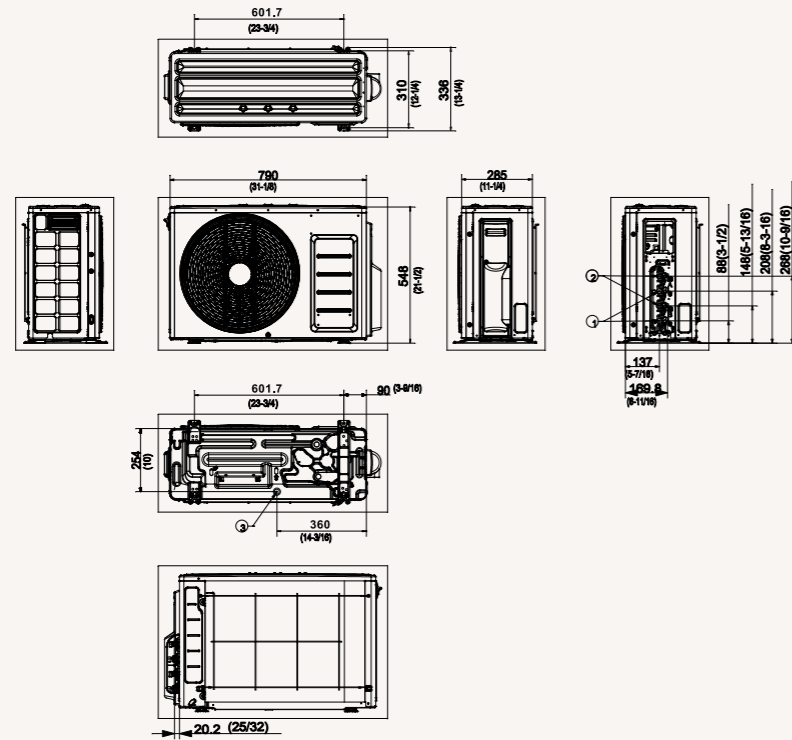
	AJ080TXJ4KG/EU	AJ100TXJ5KG/EU
Maximum number of connectable indoor units		
	4	5
Capacity		
	8.0	10.0
	9.3	12.0
	7.00	9.03
	5.97	7.70
	4.94	6.38
Performance		
	7.75	8.00
	330	TBA
	7.3	TBA
	4.06	3.64
	4.10	4.32
	2,009	TBA
	5.9	TBA
	4.37	4.26
	47.5	75.0
	64	70
	48	54
	50	56
	Propeller Fan	Propeller Fan
	Front (horizontal)	Front (horizontal)
	125	125
	1	1
	-10.0~46.0	-10.0~46.0
	-15~24	-15~24
	1Φ, 220~240 V, 50 Hz	1Φ, 220~240 V, 50 Hz
	Twin BLDC Rotary	Twin BLDC Rotary
	1.97	2.75
	2.13	2.82
	8.9	12.2
	9.5	12.8
	880 x 798 x 310	940 x 998 x 330
	57.5	76.5
	R32 (contains fluorinated greenhouse gases. GWP = 675)	
	2.00	2.70
	40.0	40.0
	1.35	1.82
	10	10
	1/4 x 4	1/4 x 5
	3/8 x 2 + 1/2 x 2	3/8 x 2 + 1/2 x 3
	70	75
	3/25	3/25
	7.5	7.5
	15	15

¹Energy labels as shown are according to EU No 626/2011 (LOT10) label classification 2019, on a scale from D to A+++.

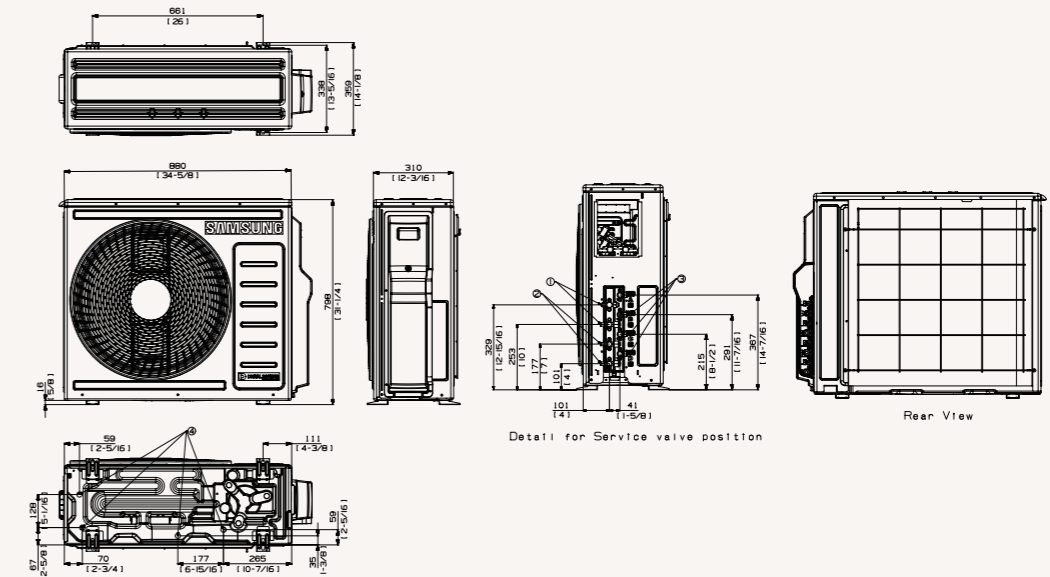
Dimensional drawings

Outdoor units

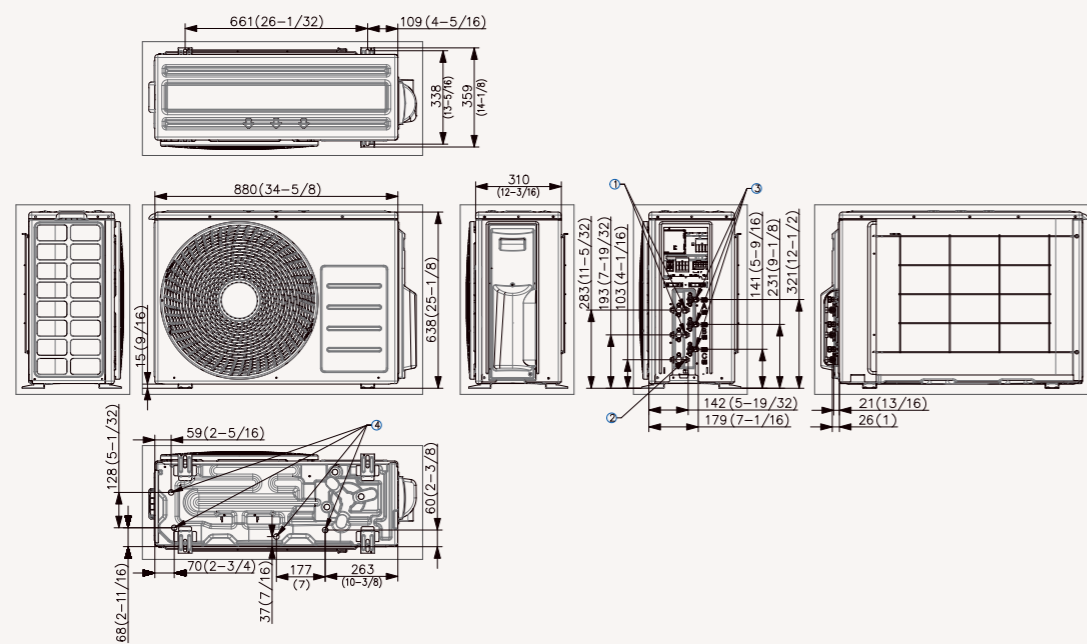
AJ040/50TXJ2KG/EU



AJ068/80TXJ3EG/EU



AJ052TXJ3KG



AJ100TXJ5EG/EU

