

# Specifications

## Big Ceiling R32

- Horizontal installation.
- Air supply by means of one adjustable blade; blade angle between 4° and 45°.
- Reduced noise thanks to the remotely controlled EEV.
- Long-life washable HD 40 permanent filter is included.



Indoor Unit		AC100RNC DKG/EU	AC120RNC DKG/EU	AC140RNC DKG/EU
Outdoor Unit - Mono-Phase		AC100RXADKG/EU	AC120RXADKG/EU	AC140RXADKG/EU
Outdoor Unit - Tri-Phase		AC100RXADNG/EU	AC120RXADNG/EU	AC140RXADNG/EU
<b>Capacity</b>				
Cooling (Min/Nominal/Max)	kW	3.00/10.00/12.00	3.0/12.0/13.5	3.50/13.40/15.50
Heating up to +7 °C (Min/Nominal/Max)	kW	3.0/12.0/13.5	3.0/12.0/13.5	3.50/15.50/18.00
Heating @ -5 °C	kW	11.0	12.9	15.2
Heating @ -15 °C	kW	9.7	11.5	13.5
<b>Performance</b>				
Energy Efficiency Cooling	SEER <sup>1</sup>	W/W 6.1/ <span style="color: green;">A++</span>	5.9/ <span style="color: green;">A+</span>	6.1/ <span style="color: green;">A++</span>
	Power Consumption	kWh/a 574	-	-
	Pdesignc	kW 10.0	-	-
	EER	W/W 3.05	2.76	2.97
Energy Efficiency Heating	SCOP <sup>1</sup>	W/W 4.0/ <span style="color: green;">A+</span>	4.0/ <span style="color: green;">A+</span>	4.0/ <span style="color: green;">A+</span>
	Power Consumption	kWh/a 1,820	-	-
	Pdesignh (average)	kW 5.2	6.5	-
	COP <sup>1</sup>	W/W 3.44	3.44	3.41
Airflow Rate	Indoor Unit (H/M/L)	m <sup>3</sup> /min 26.0/23.0/19.0	26.0/23.0/19.0	30.0/24.0/20.0
Sound Power	Indoor Unit	dB(A) 60	62	64
	Outdoor Unit	dB(A) 69	70	69
Sound Pressure	Indoor Unit (H/M/L)	dB(A) 42/38/34	44/41/37	48/42/38
	Outdoor Unit (H/L)	dB(A) 54/52	56/54	54/53
Fan/Outdoor Unit	Type	Sirocco Unit	Sirocco	Sirocco
	Power	W 244	244	244
	Number of Fans	- 4	4	4
Operating Temperature Range	Cooling	°C -15-50	-15-50	-15-50
	Heating	°C -20.0-24.0	-20.0-24.0	-20.0-24.0
<b>Electrical Data</b>				
Power Source	Indoor Unit	Φ, #, V, Hz 1Φ, 2, 220-240 V, 50 Hz	1Φ, 2, 220-240 V, 50 Hz	1Φ, 2, 220-240 V, 50 Hz
	Outdoor Unit Mono-Phase	Φ, #, V, Hz 1Φ, 2, 220-240 V, 50 Hz	1Φ, 2, 220-240 V, 50 Hz	1Φ, 2, 220-240 V, 50 Hz
	Outdoor Unit Tri-Phase	Φ, #, V, Hz 3Φ, 4, 380-415 V, 50 Hz	3Φ, 4, 380-415 V, 50 Hz	3Φ, 4, 380-415 V, 50 Hz
Compressor Type	Outdoor Unit	Type Twin BLDC	Twin BLDC	Twin BLDC
Power (Min/Nominal/Max)	Cooling	kW 0.60/3.28/4.70	0.90/4.35/5.30	0.80/4.50/6.45
	Heating	kW 0.46/3.25/5.40	0.70/3.83/5.60	0.70/4.54/7.36
Current Input	Cooling (Min/Std/Max)	A 3.0/14.6/20.4	5.1/19.1/24.0	3.7/19.7/28.0
	Heating (Min/Std/Max)	A 2.5/14.2/23.0	3.9/17.0/26.0	3.5/19.8/32.0
	Cooling - Tri-Phase (Min/Std/Max)	A 1.5/5.0/7.1	1.7/6.6/10.0	2.1/7.0/10.5
	Heating - Tri-Phase (Min/Std/Max)	A 1.2/5.1/8.4	1.5/6.2/12.0	1.9/7.0/12.0
<b>Dimensions</b>				
Net Dimensions (W x H x D)	Indoor Unit	mm 1,650 x 235 x 675	1,650 x 235 x 675	1,650 x 235 x 675
	Outdoor Unit	mm 940 x 998 x 330	940 x 998 x 330	940 x 1,210 x 330
Net Weight	Indoor Unit	kg 42.0	42.0	41.5
	Outdoor Unit	kg 75.0	81.0	91.5
<b>Refrigerant</b>				
Refrigerant	Type	R32 (contains fluorinated greenhouse gases. GWP = 675)		
Factory Charging	kg	2.7/30 m	2.7/30 m	2.9/30 m
Charging Ton equivalent CO <sub>2</sub>	tCO <sub>2</sub> e	1.82	1.82	1.96
Additional Refrigerant Charging	g/m	50	50	50
Piping Connections	Liquid Pipe	ø, inch 3/8	3/8	3/8
	Gas Pipe	ø, inch 5/8	5/8	5/8
Piping Length	Min/Max	m 50	50	75
Piping Height	Max	m 30	30	30
Piping Connections	Drain Pipe	ø, mm VP25 (OD 32, ID 25)	VP25 (OD 32, ID 25)	VP25 (OD 32, ID 25)

### Accessories



Wireless Remote Controller

AR-EH03E



Touch Controller

MWR-SH11N



Advanced Wired Controller

MWR-WG00JN/MWR-WG00KN



Wi-Fi Kit

MIM-H04EN



External Thermostat

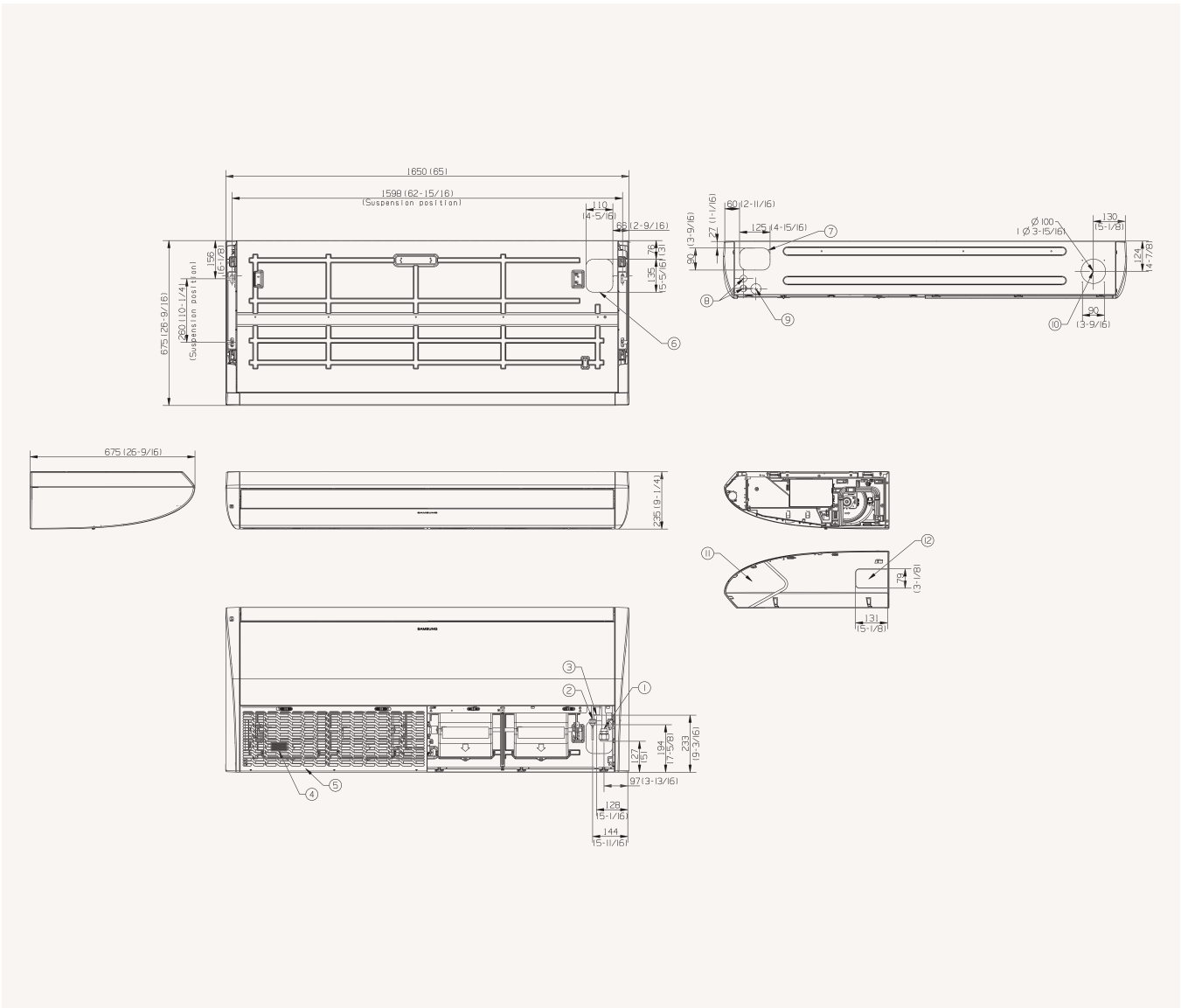
MRW-TA

<sup>1</sup> Energy labels as shown are according to EU No 626/2011 (LOT10) label classification 2019, on a scale from D to A+++.

# Dimensional drawings

Big Ceiling R32

AC100/120/140\*NCDK\*/EU, AC160JNCDEH/EU



NO	Name	Description
1	Liquid pipe connection	ø9.52 (3/8)
2	Gas pipe connection	ø15.88 (5/8)
3	Drain pipe connection	VP25 (OD 32, ID 25)
4	Air Filter	
5	Air suction grille	
6	Knock-out hole for piping (upper)	
7	Knock-out hole for piping (rear)	ø28 [1 1/8]
8	Conduit Hole	ø42 [1 5/16]
9	Knock-out hole for drain hose	
10	Fresh air intake knock-out hole	
11	Cover side	
12	Knock-out hole for piping (side)	