

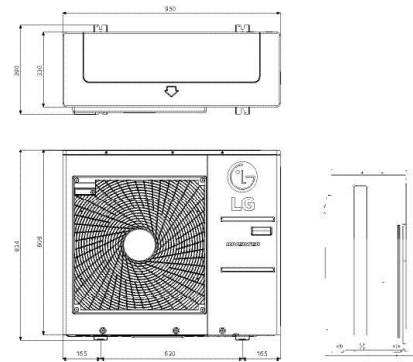
OUTDOOR UNIT

MU4R27
MU5R30

(Unit : mm)



LG participates in the ECP programme for EUROVENT AC program.
Check ongoing validity of certification
: www.eurovent-certification.com



OUTDOOR UNIT				MU4R27.U40	MU5R30.U40
Compressor	Type			Twin Rotary	Twin Rotary
Capacity *	Cooling	Min / Nom / Max	kW	1.3 / 7.9 / 9.5	1.3 / 8.8 / 10.6
	Heating	Min / Nom / Max	kW	1.5 / 9.1 / 10.6	1.5 / 10.1 / 12.1
Low Temperature Capacity	Heating -7°C	Max	kW	6.4	7.1
Power Input *	Cooling	Min / Nom / Max	kW	0.4 / 1.8 / 2.9	0.4 / 2.0 / 3.4
	Heating	Min / Nom / Max	kW	0.6 / 2.1 / 3.4	0.6 / 2.2 / 3.6
Running Current	Cooling	Min / Nom / Max	A	1.9 / 8.1 / 13.1	1.9 / 9.1 / 15.2
	Heating	Min / Nom / Max	A	2.8 / 9.4 / 15.3	2.8 / 9.7 / 16.3
EER				4.39	4.40
COP				4.39	4.70
SEER				8.00	8.20
SCOP				4.20	4.20
Pdesign (@-10°C)			kW	7.00	7.40
Seasonal Energy Label	Cooling / Heating (A+++ to D Scale)			A++ / A+	A++ / A+
Annual Energy Consumption	Cooling / Heating			346 / 2,333	376 / 2,467
Airflow Rate	Nom		m ³ /min	60	60
Sound Pressure	Cooling	Nom	dB(A)	50	50
	Heating	Nom	dB(A)	54	54
Sound Power	Cooling	Max	dB(A)	65	66
Dimensions	W x H x D			950 x 834 x 330	950 x 834 x 330
Net Weight				61	61
Refrigerant	Type			R32	R32
	Charge			2.3	2.6
	Additional Charge			20	20
	GWP			675	675
	t-CO ₂ eq			1.55	1.76
Operation Range (Outdoor)	Cooling	Min / Max	°C DB	-10 / 48	-10 / 48
	Heating	Min / Max	°C WB	-18 / 18	-18 / 18
Power Supply				220-240, 1, 50	220-240, 1, 50
Power Supply Cable				3C x 2.5	3C x 2.5
Transmission Cable				4C x 0.75	4C x 0.75
Circuit Breaker				25	25
Piping Length Total				70	75
Piping Length per Branch	Max			25	25
Piping Elevation Difference	IDU - ODU	Max	m	15	15
	IDU - IDU	Max	m	7.5	7.5
Piping Connection	Liquid	mm(inch) x No.		Ø6.35 (1/4) x 4	Ø6.35 (1/4) x 5
	Gas	mm(inch) x No.		Ø9.52 (3/8) x 4	Ø9.52 (3/8) x 5
List Price - Outdoor Unit Only				£1,645.00	£1,790.00