

# PLA-M R32

## 4-Way Blow Ceiling Cassette System

Standard Inverter Heat Pump (Single Phase)

Mr. SLIM™

The cost-effective **PLA-M Standard Inverter range** is a ceiling cassette system that blends a host of outstanding features with a streamlined design. Offering advanced control options and quiet operation, this range provides extreme flexibility and ease of installation.

With a 14° set point option on 10~14kW models, this system is also suitable for applications where a specialist ambient condition is required.

**R32**

### Key Features & Benefits:

- **Increased comfort levels** through advanced airflow and smart defrost features (size 100 -140)
- **14°C set point option;** ideal for applications where a specialist ambient condition is required (size 100 -140; requires PAR-41MAA or PAR-SL101A-E controller)
- **Energy usage display** available as standard with the PAR-41MAA controller
- **Optional 3D Total Airflow casement** to allow 360° directional delivery of air (size 100 -140; requires PAR-41MAA or PAR-SL101A-E controller)
- **Optional 3D i-see sensor grille** (PLP-6EAE) provides customised comfort by automatically monitoring room occupancy, position and body temperatures
- **Optional filter-lowering operation**, down to 4m (PLP-6EAJ), allowing for easier maintenance
- **Optional black satin grille** (PLP-6EA-B), ideal for applications with exposed ceilings or stylish aesthetics
- **Optional V Blocking filter** (PAC-SK53KF-E) provides in-room air purification, neutralises viruses, bacteria, allergens, dust and mould
- **Compatible with Plasma Quad Connect** - an innovative, bolt-on air purifying device which neutralises viruses, bacteria, allergens, PM2.5, mould and dust (PAC-SK51FT-E)



# Air Conditioning Product Information

## PLA-M R32

4-Way Blow Ceiling Cassette System  
Standard Inverter Heat Pump (Single Phase)

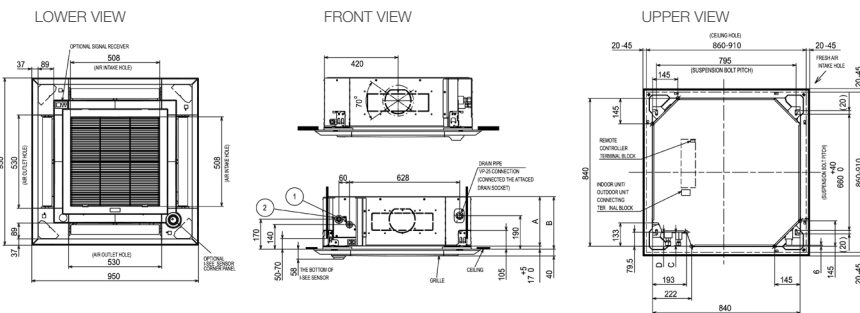


PLA-M INDOOR UNITS		PLA-M35EA2	PLA-M50EA2	PLA-M60EA2	PLA-M71EA2	PLA-M100EA2	PLA-M125EA2	PLA-M140EA2
CAPACITY (kW)	Heating (nominal)	4.1 (1.0-5.0)	6.0 (1.5-7.2)	7.0 (1.6-8.0)	8.0 (2.0-10.2)	11.2 (2.8-12.5)	13.5 (4.1-15.0)	15.0 (4.2-15.8)
	Cooling (nominal)	3.6 (0.8-3.9)	5.5 (1.2-5.6)	6.1 (1.6-6.3)	7.1 (2.2-8.1)	9.5 (4.0-10.6)	12.1 (5.8-13.0)	13.4 (5.8-14.1)
	Heating (UK)	3.49 (0.85-4.26)	5.11 (1.28-6.13)	6.13 (1.36-6.81)	6.81 (1.70-8.68)	9.63 (2.41-10.75)	11.49 (3.49-12.77)	12.77 (3.57-13.45)
	Cooling (UK)	3.31 (0.74-3.60)	5.06 (1.10-5.15)	5.61 (1.47-5.80)	6.53 (2.02-7.45)	8.65 (3.64 - 9.65)	11.01 (5.28-11.83)	12.19 (5.28-12.83)
SHF (nominal)		0.91	0.77	0.79	0.74	0.77	0.72	0.70
COP / EER (nominal)		4.20 / 4.00	3.46 / 3.40	3.80 / 3.30	3.61 / 3.70	3.71 / 3.50	3.71 / 3.01	3.41 / 2.70
SCOP (ηsh) / SEER ηsc (BS EN14825)		4.70 / 7.40	4.10 / 6.70	4.40 / 6.60	4.50 / 7.50	4.60 / 7.00	4.1 (162%) / 5.6 (231.9%)	4.1 (161.3%) / 5.7 (232.7%)
ERP ENERGY EFFICIENCY CLASS	Heating/Cooling	A++ / A++	A+ / A++	A+ / A++	A+ / A++	A+ / A++	A+ / A+	A+ / A+
AIRFLOW (l/s)	Lo-Mi-Mi2-Hi	183-217-250-267	200-233-317-350	200-233-317-350	233-283-317-350	317-383-433-483	350-417-467-517	400-433-483-533
PIPE SIZE mm (in)	Gas/ Liquid	9.52 (3/8") / 6.35 (1/4")	12.7 (1/2") / 6.35 (1/4")	15.88 (5/8") / 6.35 (1/4")	15.88 (5/8") / 9.52 (3/8")	15.88 (5/8") / 9.52 (3/8")	15.88 (5/8") / 9.52 (3/8")	15.88 (5/8") / 9.52 (3/8")
SOUND PRESSURE LEVEL (dBA)	Lo-Mi-Mi2-Hi	26-28-29-31	27-29-31-32	27-29-31-32	28-30-32-34	31-34-37-40	33-37-41-44	36-39-42-44
SOUND POWER LEVEL (dBA)		51	54	54	56	61	65	65
DIMENSIONS (mm)	Width x Depth x Height (Grille)	840 (950) x 840 (950) x 258 (40)	840 (950) x 840 (950) x 258 (40)	840 (950) x 840 (950) x 258 (40)	840 (950) x 840 (950) x 258 (40)	840 (950) x 840 (950) x 298 (40)	840 (950) x 840 (950) x 298 (40)	840 (950) x 840 (950) x 298 (40)
WEIGHT (kg)	Unit / Grille	19 / 5	19 / 5	21 / 5	21 / 5	24 / 5	26 / 5	26 / 5
ELECTRICAL SUPPLY		Fed by Outdoor Unit	Fed by Outdoor Unit	Fed by Outdoor Unit	Fed by Outdoor Unit	Fed by Outdoor Unit	Fed by Outdoor Unit	Fed by Outdoor Unit
FUSE RATING (BS88) - HRC (A)		6	6	6	6	6	6	6
INTERCONNECTING CABLE No. CORES		4	4	4	4	4	4	4
3D TOTAL AIRFLOW CASEMENT		PLP-U160ELR-E	PLP-U160ELR-E	PLP-U160ELR-E	PLP-U160ELR-E	PLP-U160ELR-E	PLP-U160ELR-E	PLP-U160ELR-E
3D I-SEE SENSOR		PLP-6EAE	PLP-6EAE	PLP-6EAE	PLP-6EAE	PLP-6EAE	PLP-6EAE	PLP-6EAE
SELF-ELEVATING GRILLE		PLP-6EAJ	PLP-6EAJ	PLP-6EAJ	PLP-6EAJ	PLP-6EAJ	PLP-6EAJ	PLP-6EAJ
GRILLE REFERENCE	White	PLP-6EA	PLP-6EA	PLP-6EA	PLP-6EA	PLP-6EA	PLP-6EA	PLP-6EA
	Black Satin	PLP-6EA-B	PLP-6EA-B	PLP-6EA-B	PLP-6EA-B	PLP-6EA-B	PLP-6EA-B	PLP-6EA-B
V BLOCKING FILTER		PAC-SK53KF-E	PAC-SK53KF-E	PAC-SK53KF-E	PAC-SK53KF-E	PAC-SK53KF-E	PAC-SK53KF-E	PAC-SK53KF-E
WIRED REMOTE CONTROLLER REFERENCE		PAR-41MAA	PAR-41MAA	PAR-41MAA	PAR-41MAA	PAR-41MAA	PAR-41MAA	PAR-41MAA
WIRELESS REMOTE CONTROLLER REFERENCE		PAR-SL101A-E	PAR-SL101A-E	PAR-SL101A-E	PAR-SL101A-E	PAR-SL101A-E	PAR-SL101A-E	PAR-SL101A-E

SUZ-M / PUZ-M OUTDOOR UNITS		SUZ-M35VAR2	SUZ-M50VAR2	SUZ-M60VAR2	SUZ-M71VAR1	PUZ-M100VKA2	PUZ-M125VKA2	PUZ-M140VKA2
SOUND PRESSURE LEVEL (dBA)	Heating/Cooling	48 / 48	48 / 49	49 / 51	49 / 51	51 / 54	54 / 56	55 / 57
	Cooling	59	64	65	66	70	72	73
SOUND POWER LEVEL (dBA)		35	41	54	55	76	84	84
WEIGHT (kg)		35	41	54	55	76	84	84
DIMENSIONS (mm)	Width x Depth x Height	800 x 285 x 550	800 x 285 x 714	840 x 330 x 880	840 x 330 x 880	1050 x 330 x 981	1050 x 330 x 981	1050 x 330 x 981
ELECTRICAL SUPPLY		220-240v, 50Hz	220-240v, 50Hz	220-240v, 50Hz	220-240v, 50Hz	220-240v, 50Hz	220-240v, 50Hz	220-240v, 50Hz
PHASE		Single	Single	Single	Single	Single	Single	Single
SYSTEM POWER INPUT (kW)	Heating/Cooling (nominal)	0.97 / 0.90	1.73 / 1.61	1.84 / 1.84	2.21 / 1.91	3.01 / 2.71	3.63 / 4.01	4.39 / 4.96
	Heating/Cooling (UK)	0.83 / 0.77	1.47 / 1.39	1.56 / 1.58	1.88 / 1.64	2.71 / 2.50	3.27 / 3.33	3.59 / 4.12
STARTING CURRENT (A)		5.0	5.7	7.6	10.0	7.1	2.9	2.9
SYSTEM RUNNING CURRENT (A)	Heating/Cooling [MAX]	5.0 / 4.1 [8.5]	8.0 / 7.1 [13.5]	9.3 / 8.4 [14.8]	9.5 / 9.1 [14.8]	13.0 / 11.7 [20]	15.6 / 17.4 [26.5]	19.0 / 21.5 [30]
FUSE RATING (BS88) - HRC (A)		10	20	20	20	32	32	40
MAINS CABLE No. CORES		3	3	3	3	3	3	3
MAX PIPE LENGTH (m)		20	30	30	30	55	65	65
MAX HEIGHT DIFFERENCE (m)		12	30	30	30	30	30	30
CHARGE REFRIGERANT (kg) / CO <sub>2</sub> EQUIVALENT (t) - R32 (GWP 675)		0.90 / 0.61 (7m)	1.20 / 0.81 (7m)	1.25 / 0.84 (7m)	1.45 / 0.98 (7m)	3.10 / 2.09 (30m)	3.60 / 2.43 (30m)	3.60 / 2.43 (30m)
MAX ADDITIONAL REFRIGERANT (kg) / CO <sub>2</sub> EQUIVALENT (t) - R32 (GWP 675)		1.16 / 0.78	1.66 / 1.12	1.71 / 1.15	2.37 / 1.80	4.10 / 2.77	5.00 / 3.38	5.00 / 3.38

Note: No duty/standby operation on SUZ-M35/50/60/71VAR2/1.

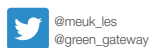
### PLA-M35/50/60/71/100/125/140EA2 DIMENSIONS



PLA-MEA* 35/50/60/71/100/125/140						
M	①	②	A	B	C	D
35/50	REFRIGERANT PIPE Φ 8.35 FLARED CONNECTION 14F	REFRIGERANT PIPE Φ 12.7 FLARED CONNECTION 12F			76	75.5
60	REFRIGERANT PIPE Φ 8.35 Φ 8.32 FLARED CONNECTION 14F 18F (COMPATIBLE)		241	258	80.5	
71		REFRIGERANT PIPE Φ 15.88 FLARED CONNECTION 9F			75.5	
100-140			281	298	79.5	



Telephone: 01707 282880  
email: [air.conditioning@meuk.mee.com](mailto:air.conditioning@meuk.mee.com)  
[les.mitsubishielectric.co.uk](http://les.mitsubishielectric.co.uk)



Mitsubishi Electric Living  
Environmental Systems UK



Mitsubishi Electric  
Cooling and Heating UK



[mitsubishielectricuk\\_les](https://www.instagram.com/mitsubishielectricuk_les)



Mitsubishi Electric Living  
Environmental Systems UK



[thehub.mitsubishielectric.co.uk](http://thehub.mitsubishielectric.co.uk)

UNITED KINGDOM Mitsubishi Electric Europe Living Environment Systems Division, Travellers Lane, Hatfield, Hertfordshire, AL10 8XB, England. Telephone: 01707 282880 Fax: 01707 278881  
IRELAND Mitsubishi Electric Europe, Westgate Business Park, Ballymount, Dublin 24, Ireland. Telephone: (01) 419 8800 Fax: (01) 419 8890 International code: (003531)

Country of origin: United Kingdom - Italy - Turkey - Japan - Thailand - Malaysia. ©Mitsubishi Electric Europe 2023. Mitsubishi and Mitsubishi Electric are trademarks of Mitsubishi Electric Europe B.V. The company reserves the right to make any variation in technical specification to the equipment described, or to withdraw or replace products without prior notification or public announcement. Mitsubishi Electric is constantly developing and improving its products. All descriptions, illustrations, drawings and specifications in this publication present only general particulars and shall not form part of any contract. All goods are supplied subject to the Company's General Conditions of Sale, a copy of which is available on request. Third-party product and brand names may be trademarks or registered trademarks of their respective owners.

Note: Refer to 'Installation Manual' and 'Instruction Book' for further 'Technical Information'. The fuse rating is for guidance only and please refer to the relevant databook for detailed specification. It is the responsibility of a qualified electrician/electrical engineer to select the correct cable size and fuse rating based on current regulation and site specific conditions. Mitsubishi Electric's air conditioning equipment and heat pump systems contain a fluorinated greenhouse gas, R410A (GWP:2088), R32 (GWP:675), R407C (GWP:1774), R134a (GWP:1430), R513A (GWP:631), R454B (GWP:466), R1234ze (GWP:7) or R1234yf (GWP:4). \*These GWP values are based on Regulation (EU) No 517/2014 from IPCC 4th edition. In case of Regulation (EU) No.626/2011 from IPCC 3rd edition, these are as follows: R410A (GWP:1975), R32 (GWP:550), R407C (GWP:1650) or R134a (GWP:1300).

Effective as of March 2023

